

PARTS MANUAL

**ELECTRIC
E25-40Z
(E114)**

CUSTOMER EDITION

HYSTER

SECTIONS

| | |
|-----------|---|
| 1 | FRAME |
| 2 | ELECTRICAL SYSTEM |
| 3 | DRIVE UNIT |
| 4 | STEERING SYSTEM |
| 5 | BRAKE/ACCELERATOR SYSTEM |
| 6 | HYDRAULIC SYSTEM |
| 7 | MAST-TWO STAGE LIMITED FREE-LIFT |
| 8 | MAST-THREE STAGE FULL FREE-LIFT |
| 9 | MAST-TWO STAGE FULL FREE-LIFT |
| 10 | OPTIONS |
| 11 | FIELD CONVERSION KITS |
| 12 | NUMERICAL INDEX |

This Parts Manual is divided into 12 major sections which are listed above. Quick reference to these sections can be made by placing the right thumb on the tab of the desired section, bending the book back and thumbing the pages to the corresponding tab.

**Thanks very much for your reading,
Want to get more information,
Please click here, Then get the complete
manual**

JustClickHere 

NOTE:

**If there is no response to click on the link above,
please download the PDF document first, and then
click on it.**

**Have any questions please write to me:
admin@servicemanualperfect.com**

TABLE OF CONTENTS

| DESCRIPTION | PAGE |
|--|-------|
| A | |
| ACCELERATOR | 5-2 |
| ACCELERATOR PEDAL | 5-4 |
| AUXILIARY TUBE EXTENSION KIT | 11-2 |
| B | |
| BACK-UP ALARM | 10-14 |
| BRAKE AND BACK-UP LIGHTS | 2-32 |
| BRAKE ASSEMBLY | 5-6 |
| BRAKE PEDAL ASSEMBLY | 5-10 |
| C | |
| CARRIAGE | |
| THREE STAGE FULL FREE-LIFT | 8-20 |
| TWO STAGE FULL FREE-LIFT | 9-18 |
| TWO STAGE FULL FREE-LIFT - C559 SERIES | 9-40 |
| TWO STAGE LIMITED FREE-LIFT | 7-12 |
| CONTACTOR | |
| LINE | 2-12 |
| POWER STEERING | 2-14 |
| CONTACTOR PANEL | |
| CONTACTOR HYDRAULIC | 2-16 |
| LINE AND POWER STEERING | 2-10 |
| CONTROL PANEL | |
| CONTACTOR HYDRAULIC | 2-8 |
| TRACTION AND PUMP CONTROLLER | 2-6 |
| CONTROL VALVE | |
| FOUR FUNCTION | 6-34 |
| THREE FUNCTION | 6-30 |
| CONTROL VALVE ATTACHING PARTS | 6-26 |
| CONTROL VALVES CONVERSION KITS | 11-2 |
| COUNTERWEIGHT | 1-6 |
| COVERS | 1-10 |
| D | |
| DASH | 2-5 |
| DC-DC CONVERTER | |
| 36/48 VOLT TO 12 VOLT | 2-42 |
| DIFFERENTIAL | 3-6 |
| DIRECTIONAL CONTROL CONVERSION | 11-2 |
| DRIVE AND REAR LIGHTS | 2-30 |
| DRIVE AXLE | 3-8 |
| DRIVE WHEEL AND TIRE | |
| INTERMEDIATE WIDTH | 3-16 |
| STANDARD WIDTH | 3-14 |
| WIDE WIDTH | 3-18 |
| E | |
| ELECTRICAL CONVERSIONS | 11-2 |
| ELECTRICAL SYSTEM | 2-2 |

TABLE OF CONTENTS (continued)

| DESCRIPTION | PAGE |
|---|------|
| F | |
| FORKS | 1-18 |
| FRAME | 1-2 |
| FREE-LIFT | |
| THREE STAGE FULL FREE-LIFT | 8-12 |
| TWO STAGE FULL FREE-LIFT | 9-8 |
| TWO STAGE FULL FREE-LIFT - C559 SERIES | 9-34 |
| FREE-LIFT CYLINDER | |
| THREE STAGE FULL FREE-LIFT | 8-18 |
| TWO STAGE FULL FREE-LIFT | 9-16 |
| TWO STAGE FULL FREE-LIFT - C559 SERIES | 9-38 |
| FULL SUSPENSION SEAT | |
| SHEET 1 OF 2 | 1-26 |
| SHEET 2 OF 2 | 1-30 |
| G | |
| GEAR PUMP | 4-6 |
| H | |
| HAND LEVER | 6-24 |
| HEADER HOSE | |
| THREE STAGE FULL FREE-LIFT | 8-22 |
| TWO STAGE FULL FREE-LIFT | 9-20 |
| TWO STAGE LIMITED FREE-LIFT | 7-14 |
| HEADER HOSE CONVERSION KITS | |
| HEADER HOSES | |
| TWO STAGE FULL FREE-LIFT - C559 SERIES | 9-42 |
| HOOD | 1-12 |
| HYDRAULIC | 6-2 |
| HYDRAULIC MOTOR | 6-16 |
| DC TYPE EE/ES | 6-18 |
| HYDRAULIC MOTOR MOUNT | 6-8 |
| HYDRAULIC PUMP | |
| 19 CC DOUBLE GEAR PUMP | 6-10 |
| 19 CC DOUBLE GEAR PUMP LOW NOISE | 6-12 |
| DC TYPE EE/ES | 6-14 |
| HYDRAULIC TANK | 6-5 |
| I | |
| INNER MAST | |
| THREE STAGE FULL FREE-LIFT | 8-6 |
| TWO STAGE FULL FREE-LIFT | 9-4 |
| TWO STAGE LIMITED FREE-LIFT | 7-4 |
| TWO STAGE LIMITED FREE-LIFT - C559 SERIES | 9-26 |
| INTEGRAL SIDE-SHIFT CARRIAGE | |
| TWO AND THREE STAGE FULL FREE-LIFT - A555 AND A559 SERIES | 10-4 |
| TWO AND THREE STAGE FULL FREE-LIFT - C555 AND C559 SERIES | 10-6 |
| TWO STAGE LIMITED FREE-LIFT | 10-2 |
| INTEGRAL SIDE-SHIFT CYLINDER | 10-8 |

TABLE OF CONTENTS (continued)

| DESCRIPTION | PAGE |
|---|-------------|
| INTEGRAL SIDE-SHIFT HYDRAULIC HOSES | |
| TWO AND THREE STAGE FULL FREE-LIFT - A555 AND A559 SERIES | 10-10 |
| TWO AND THREE STAGE FULL FREE-LIFT - C555 AND C559 SERIES | 10-11 |
| TWO STAGE LIMITED FREE-LIFT | 10-9 |
| INTERMEDIATE | |
| THREE STAGE FULL FREE-LIFT | 8-4 |
| L | |
| LABELS | 1-20 |
| LED LIGHTS, BACK-UP AND BRAKE | 10-12 |
| LIFT | |
| TWO STAGE LIMITED FREE-LIFT | 7-6 |
| LIFT CYLINDER | |
| TWO STAGE LIMITED FREE-LIFT - LEFT HAND | 7-8 |
| TWO STAGE LIMITED FREE-LIFT - RIGHT HAND | 7-10 |
| LOAD BACKREST EXTENSION | 1-16 |
| M | |
| MAIN LIFT | |
| THREE STAGE FULL FREE-LIFT | 8-8 |
| TWO STAGE FULL FREE-LIFT | 9-6 |
| TWO STAGE FULL FREE-LIFT - C559 SERIES | 9-28 |
| MAIN LIFT CYLINDER | |
| THREE STAGE FULL FREE-LIFT - LEFT HAND | 8-14 |
| THREE STAGE FULL FREE-LIFT - RIGHT HAND | 8-16 |
| TWO STAGE FULL FREE-LIFT - LEFT HAND | 9-12 |
| TWO STAGE FULL FREE-LIFT - RIGHT HAND | 9-14 |
| TWO STAGE FULL FREE-LIFT - RIGHT HAND, C559 SERIES | 9-30 |
| TWO STAGE FULL FREE-LIFT - LEFT HAND, C559 SERIES | 9-32 |
| MAST INSTALLATION | 6-20 |
| MAST TILT CONVERSION KITS | 11-2 |
| MASTER CYLINDER | 5-12 |
| N | |
| NON-SUSPENSION SEAT | 1-22 |
| O | |
| OUTER MAST | |
| THREE STAGE FULL FREE-LIFT | 8-2 |
| TWO STAGE FULL FREE-LIFT | 9-2 |
| TWO STAGE FULL FREE-LIFT - C559 SERIES | 9-24 |
| TWO STAGE LIMITED FREE-LIFT | 7-2 |
| OVERHEAD GUARD | 1-8 |
| P | |
| PARK BRAKE | |
| LEVER ACTUATED | 5-14 |
| PARK BRAKE LINKAGE | |
| SEAT ACTUATED (→ S/N E114N01837C) | 5-18 |
| SEAT ACTUATED (S/N E114N01838C ↔ S/N E114N02300D) | 5-20 |

TABLE OF CONTENTS (continued)

| DESCRIPTION | PAGE |
|---|-------------|
| SEAT ACTUATED (S/N E114N02301D →) | 5-24 |
| S | |
| SHIFT LEVER | 4-8 |
| STEER TIRE AND WHEEL | 4-16 |
| STEERING AXLE | 4-10 |
| STEERING CYLINDER | 4-14 |
| STEERING HYDRAULIC | 4-4 |
| STEERING POD | 4-2 |
| STEERING PUMP | 4-12 |
| STROBE AND BACK-UP ALARM KITS | 11-2 |
| STROBE LIGHT | 10-16 |
| SUSPENSION SEAT | 1-24 |
| T | |
| TILT CYLINDER | 6-22 |
| TRACTION MOTOR | |
| SHEET 1 OF 2 | 3-10 |
| SHEET 2 OF 2 | 3-12 |
| TRANSMISSION | 3-2 |
| W | |
| WIDE FENDER KITS | 11-2 |
| WIRE HARNESS | |
| CHASSIS LIGHTS | 2-34 |
| LIGHT SWITCH | 2-40 |
| MAIN (→ S/N E114N01837C) | 2-18 |
| MAIN - GENERATION "V" CONTROL (S/N E114N01838C ↔ S/N E114N01899C) | 2-22 |
| MAIN - (GENERATION "V" CONTROL) (S/N E114N01900C →) | 2-26 |
| PRESSURE SWITCH | 2-38 |
| REAR LIGHTS | 2-36 |

ABBREVIATIONS QUICK REFERENCE SHEET

Listed below are abbreviations used in parts manuals to denote the following expressions:

| TERM | DEFINITION | TERM | DEFINITION |
|-------------|---|-------------|------------------------------------|
| Amp | Amperes | FRE | Freezer Environment |
| AR | As Required | in. | inches |
| BDI | Battery Discharge Indicators | LPG | Liquefied Petroleum Gas |
| BWI | Brush Wear Indicator | MAP | Manifold Absolute Pressure |
| CE | Communicator End | mm | millimeters |
| CRE | Corrosive Environment | MSTS | Microprocessor Spark Timing System |
| D/B | Date Break | NPT | National Pipe Threads |
| dbA | Decibel "A" Scale | O/S | Oversize |
| DE | Drive End | PTO | Power Take Off |
| ECH | Empty Container Handler | RPM | Revolutions per Minute |
| ECH-3 | Empty Container Handler - 3 High Stacking | S/N | Serial Number |
| ECH-4 | Empty Container Handler - 4 High Stacking | TMM | Truck Management Module |
| ECH-5 | Empty Container Handler - 5 High Stacking | UL Type D | Diesel-Powered Safety Rating |
| ECH-6 | Empty Container Handler - 6 High Stacking | UL Type DS | Diesel-Powered Safety Rating |
| ECH-7 | Empty Container Handler - 7 High Stacking | UL Type E | Battery-Powered Safety Rating |
| ECM | Electronic Control Module | UL Type EE | Battery-Powered Safety Rating |
| ECN | Engineering Change Notice | UL Type ES | Battery-Powered Safety Rating |
| EEPROM | Electrically Erasable Programmable Read Only Memory | UL Type G | Gasoline-Powered Safety Rating |
| EPA | US Environmental Protection Agency | UL Type GS | Gasoline-Powered Safety Rating |
| EPROM | Electrically Programmable Read Only Memory | UL Type LP | Gas-Powered Safety Rating |
| | | UL Type LPS | LP Gas-Powered Safety Rating |
| | | U/S | Undersize |
| | | UL | Underwriters Laboratory |
| | | V | Volts |

HOW TO USE THE ILLUSTRATED PARTS MANUAL

This parts manual describes and illustrates assemblies, subassemblies, and detail parts needed for service replacement.

The different constructions are indicated by keys and footnotes. The callouts correspond to descriptions found on the next page.

HYSTER UNIT CODE D001 NORTH AMERICA 06/2001

TABLE OF CONTENTS

| DESCRIPTION | PAGE |
|--|------|
| AIR INTAKE AND FILTER DIESEL (⇒ D/B 11/98) | 3-22 |
| AIR INTAKE AND FILTER DIESEL (D/B 11/96 ⇒) | |
| AIR INTAKE AND FILTER GASOLINE AND LPG | |
| ALTERNATOR GASOLINE, LPG, AND DIESEL | |
| ALTERNATOR TYPES GS, LPS, AND DS | |
| AUXILIARY FUNCTION TUBE TWO AND THREE STAGE FULL F | |

SECTION 13 NUMERICAL INDEX

| PART NO. | PAGE NO. | ITEM NO. | PART NO. | PAGE NO. | ITEM NO. | PART NO. | PAGE NO. | ITEM NO. | PART NO. | PAGE NO. | ITEM NO. |
|----------|----------|----------|----------|----------|----------|----------|----------|----------|----------|----------|----------|
| 142 | 3-4 | 19 | 10-13 | 25 | | 11-27 | 29 | 12-31 | 12 | | |
| 12445 | 3-32 | 19 | 10-17 | 6 | | 11-31 | 25 | 16719 | 3-36 | 5 | |
| | 3-34 | 1 | 10-27 | 11 | | 11-32 | 37 | 16751 | 3-16 | 27 | |
| | | | 11-11 | 6 | 16485 | 8-4 | 29 | 16849 | 3-34 | 21 | |
| | | | 12-21 | 11 | | 8-4 | 45 | | 3-38 | 20 | |
| | | | 14 | 13 | | 8-8 | 34 | 16863 | 3-28 | 17 | |
| | | | 12 | 6 | | 9-7 | 9 | 16865 | 3-6 | 18 | |
| | | | 3 | 17 | | 9-7 | 19 | | 4-27 | 41 | |
| | | | 9 | 10 | | 9-11 | 9 | 16882 | 9-7 | 30 | |
| | | | 23 | 46 | | 9-11 | 17 | | 9-11 | 27 | |
| | | | 27 | 46 | | 10-9 | 21 | | 10-10 | 36 | |
| | | | 26 | 14 | | 10-9 | 28 | | 10-13 | 32 | |
| | | | 28 | 14 | | 10-13 | 16 | | 11-7 | 24 | |
| | | | 50 | 14 | | 11-7 | 19 | | 11-9 | 17 | |

SECTIONS

- FRAME
- ELECTRICAL SYSTEM
-
-
- BRAKE/ACC
-
- MAST-TWO STAGE
- MAST-THREE STAGE
- MAST-TWO STAGE
-
-

TRANSMISSION HOUSING ⇒ S/N D001H-2628

KEY:
A: Diesel
B: Gasoline and LPG

| ITEM | PART NO. | DESCRIPTION | QTY | |
|--------|----------|-------------------------------------|-----|----|
| | | | A | B |
| 1 | 202547 | Transmission | 1 | 1 |
| 2 | 2023329 | Transmission | 1 | 1 |
| 3 | 2021670 | Case | 2 | 2 |
| 4 | 2023418 | Bearing Cap | 4 | 4 |
| 5 | 296429 | Washer | 4 | 4 |
| 6 | 293947 | Bolt | 1 | 1 |
| 7 | 2021390 | Cover | 2 | 2 |
| 8 | 1371656 | Colter Pin | 4 | 4 |
| 9 | 2021915 | O-Ring | 1 | 1 |
| 10 | 2021329 | Plug | 4 | 4 |
| 11 | 2021675 | Housing | 22 | 22 |
| 12 | 2021336 | Pin | 39 | 39 |
| 13 | 287860 | Bolt | 1 | 1 |
| 14 | 292682 | Lockwasher | 1 | 1 |
| 15 | 2021345 | Hydraulic Pump ⇒ Figure 5-3 | 1 | 1 |
| 16 | 214364 | Gasket | 1 | 1 |
| 17 | 296418 | Bolt | 8 | 8 |
| 18 | 2021388 | Washer | 1 | 1 |
| 19 | 2021389 | Temperature Switch | 1 | 1 |
| 20 | 292531 | Breather | 9 | 9 |
| 21 | 292583 | Dipstick | 9 | 9 |
| 22 | 292515 | Bolt | 2 | 2 |
| 23 | 136692 | Nut | 3 | 3 |
| 24 | 292527 | Bolt | 3 | 2 |
| 25 | 292531 | Capscrew | 4 | 4 |
| 26 | 292583 | Lockwasher | 4 | 4 |
| 27 | 293637 | Bolt | 4 | 4 |
| 28 | 296420 | Washer | 1 | 1 |
| 996403 | | Transmission Kit (Includes Item 7) | 1 | 1 |
| 996405 | | Transmission Kit (Includes Item 14) | 1 | 1 |

This Parts Manual is divided into 11 major sections which are listed above. Quick access can be made by placing the right thumb on the tab of the desired section, bending the pages to the corresponding tab.

© Copy Right Date HYSTER COMPANY See Service Manual for service procedures. 5-15

HP990004

HOW TO FIND THE DESIRED PART NUMBER

WHEN THE PART NUMBER AND THE NEXT HIGHER ASSEMBLY IS NOT KNOWN:

1. Determine the function and application of the part required. Turn to the Sections Page. Choose the general area of reference most likely to include the part.
2. Turn to the section you chose. Use the Section Table of Contents to determine the assembly which would normally contain the part required. Then locate the part on the assembly breakdown page.

WHEN THE PART NUMBER IS NOT KNOWN AND THE NEXT HIGHER ASSEMBLY IS KNOWN:

3. Determine the assembly the required part is used on. Turn to the Table of Contents (Page i).
4. Locate the assembly the required part is used on and turn to the page indicated for that assembly. Then locate the part on the assembly breakdown page.

WHEN THE PART NUMBER IS KNOWN:

5. Use the Numerical Index (Page 12-1) to find the part number. Turn to the page listed and locate the part as indicated by the item number.

GENERAL:

The assembly breakdowns include part numbers, descriptions, quantities required, keys and footnotes to help in selecting correct parts.

6. Parts Supersession Information. Part numbers that have this history will be displayed in the parts list in the order that they were superseded (from oldest to newest). The superseded part numbers will be shown with a line through them.

Five periods in the PART NO. column (.) indicate that the part is either *Not Serviced Separately* or there is a reference to another figure. A figure reference is denoted by a pointing hand followed by a figure number in the DESCRIPTION column (☞ Figure 10)

7. Keys are used to show two or more similar assemblies, RH and LH assembly parts, etc. Select the appropriate key, "A", "B", "C", "D", or "E" and the corresponding quantity column to find the required parts. Two periods in the QTY column (..) indicate that the part is not used for that assembly.
8. Indented descriptions under the DESCRIPTION column are used to indicate assemblies and

subparts of assemblies. In the example on the previous page, *BEARING CAP* (Item 2) is a subpart of the major assembly *CASE*.

9. Quantities shown are for one assembly. The quantities of the subpart *BEARING CAP* are indicated as two and two. This means two per *CASE* assembly.
10. Serial number breaks identify the most current parts information and are shown as follows:
 - **S/N D001H2628**
Indicates last serial number affected.
 - S/N D001H2629** →
Indicates the first serial number affected.
 - S/N D001H1553** ↔ **S/N D001H3291**
Indicates a range of serial numbers affected.

ECN numbers for pending serial numbers are shown to allow for the inclusion of the most current parts information and are identified as follows:

→ **S/N Pending Per ECN 63243**

Indicates a pending serial number for last unit affected.

S/N Pending Per ECN 63243 →

Indicates a pending serial number for first unit affected.

Date breaks are used to indicate when a change occurred but a subsequent serial number break was not recorded. This is an arbitrary date usually based on the ECN release and are identified as follows:

→ **D/B 3/00**

Indicates that a change occurred sometime within that month for the item affected.

D/B 3/00 →

Indicates that a change occurred sometime within that month for the item affected.

D/B 3/00 ↔ **D/B 4/00**

Indicates a range of production dates of the item affected.

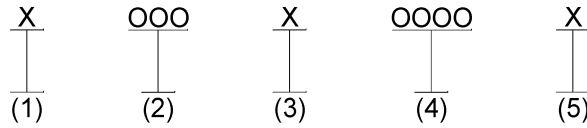
Contact your local dealer for Hyster lift trucks for serial number information for items with a ECN or a date break.

ORDERING PARTS:

When ordering replacement parts, give the unit serial number, part number, name of part and quantity required.

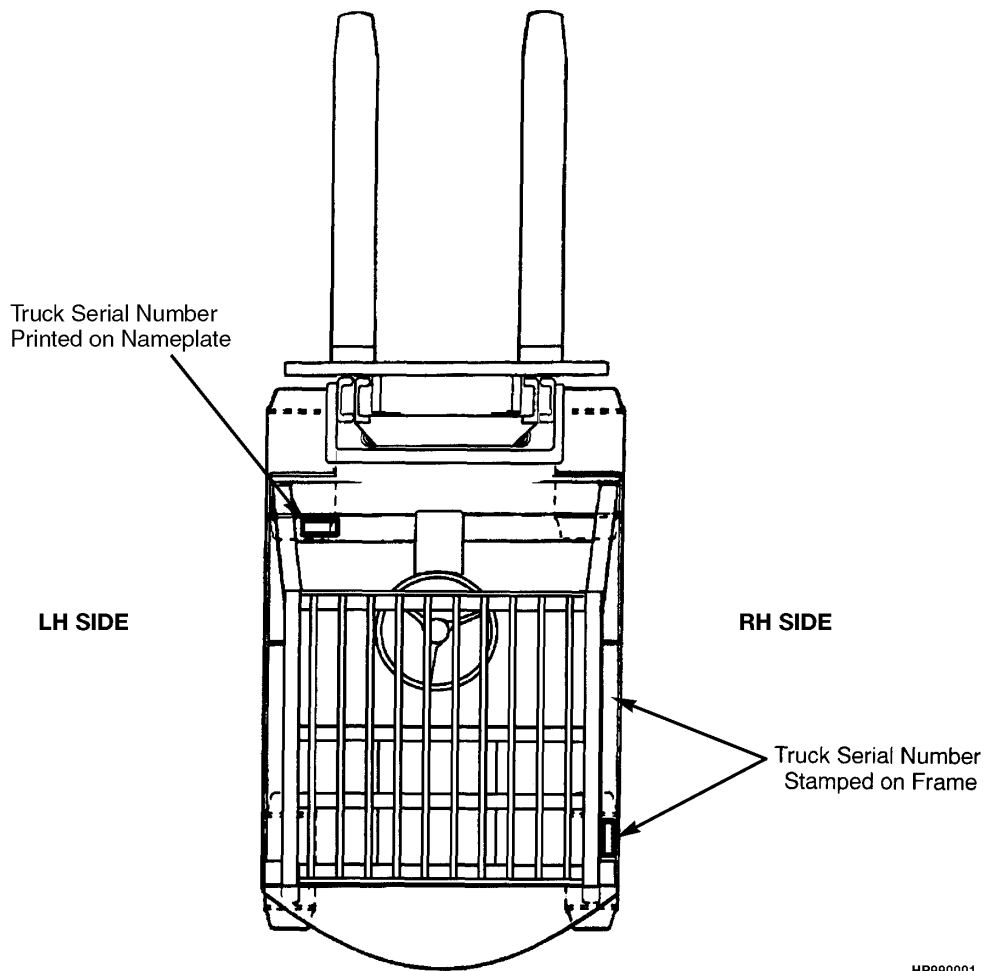
For any further information on parts, service, or ordering, consult your local dealer for Hyster lift trucks.

IDENTIFICATION OF TRUCK SERIAL NUMBERS

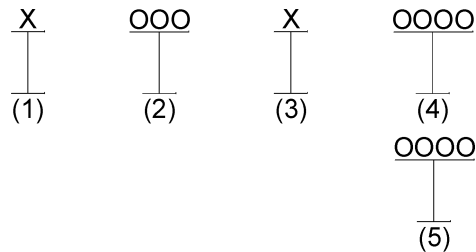


- (1) and (2) The first letter and three numbers indicate the truck unit code.
- (3) The second letter indicates the plant of manufacture.
- (4) The four or five digit number indicates the production sequence number of the truck.
- (5) The final letter indicates the year of manufacture starting with "A" in 1957, 1980, and 2003.
The letters "I", "O", and "Q" will not be used.

For pending serial numbers contact your local dealer for Hyster lift trucks.



Parts referred to in this book as right or left hand parts are in accordance with the illustration above.

IDENTIFICATION OF MAST SERIAL NUMBERS

- (1) and (2) The first letter and number indicates the mast unit code.
- (3) The second letter indicates the plant of manufacture.
- (4) The four or five digit number indicates the production sequence number of the mast.
- (5) Carriage travel in millimeters stamped just below the serial number.

Mast Group identification consists of mast unit code (1) and (2) plus carriage travel (5).

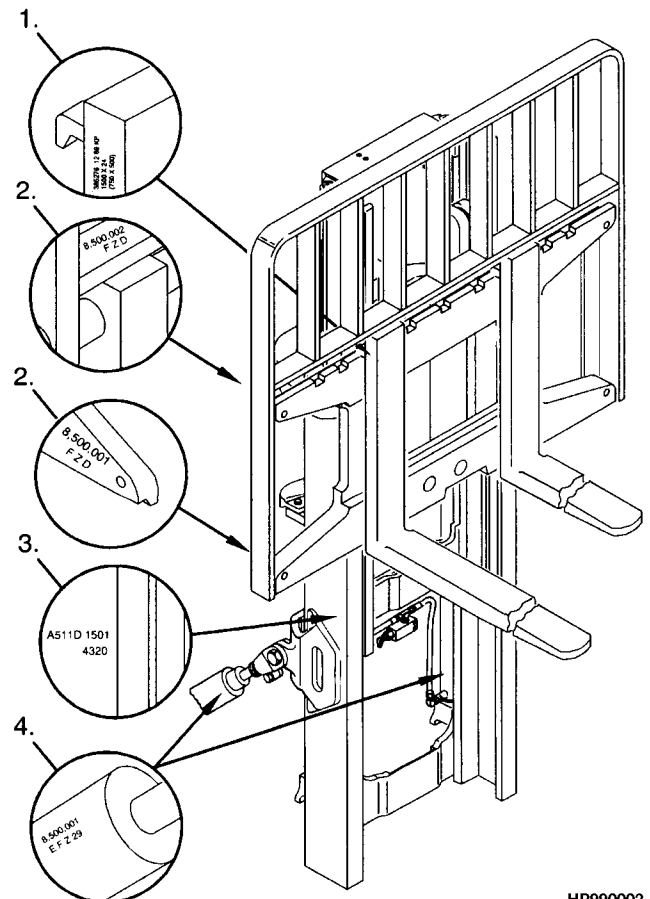
For pending production sequence numbers contact your local dealer for Hyster lift trucks.

LIFT EQUIPMENT IDENTIFICATION

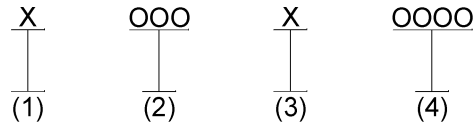
1. Fork part number, capacity rating, plant code letter, and date of manufacture are stamped approximately six inches below the top of most forks.
2. The carriage group number is stamped on the right hand side of the top crossmember (pin type) or on the back of the right hand end of the bottom crossmember (hook type). A date code has two letters in line with or below the carriage group number.
3. The mast identification number has a unit code, a letter indicating the plant of manufacture, and a serial number. Underneath the production sequence number is a four digit number that indicates the carriage travel in millimeters.
4. Tilt and lift cylinder group numbers are stamped on the cylinder shell.

Always refer to the group, serial, or part number when ordering service parts.

Modification of masts and carriages by SPED (Special Products Engineering Department) are identified by a model prefix code beginning with the letter "S". contact your dealer for Hyster lift trucks for information on these assemblies.



HP990002

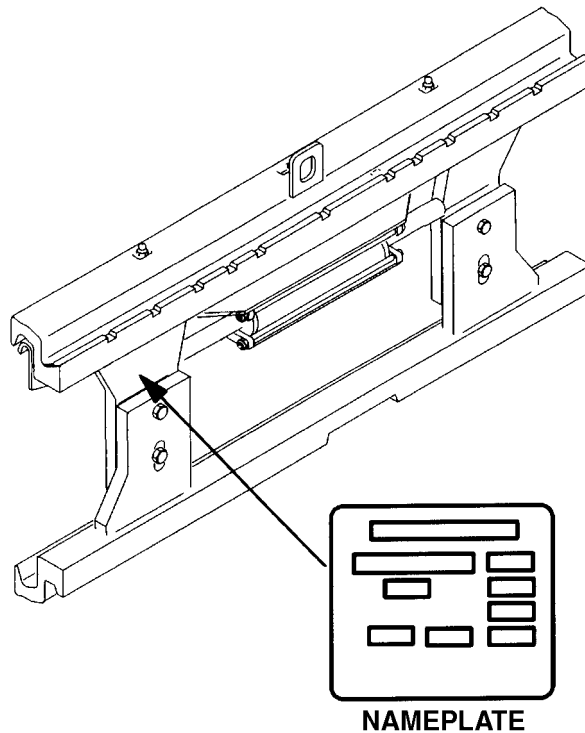
IDENTIFICATION OF ATTACHMENT AND SIDE-SHIFT CARRIAGE SERIAL NUMBERS

(1) and (2) The first letter and three numbers indicate the attachment unit code.

(3) The second letter indicates the plant of manufacture.

(4) The four or five digit number indicates the production sequence number.

For pending production sequence numbers contact your local dealer for Hyster lift trucks.



HP990003

Side-shift carriages and attachments have nameplates. Use the serial number found on the nameplate to identify the attachment.

Always refer to the group, serial, or part number when ordering service parts.

Modifications of attachments and side-shift carriages by SPED (Special Products Engineering Department) are identified by a model prefix code beginning with the letter "S". Contact your dealer for Hyster lift trucks for information on these assemblies.

PUBLICATIONS

Every new lift truck is provided with an OPERATING MANUAL. This manual has information that the operator must know for inspection and operation of the lift truck.

SERVICE MAINTENANCE MANUALS, which provide service and overhaul procedures, and PARTS

MANUALS with complete replacement part identification, are available at a nominal fee from your Hyster dealer to assist users in effectively maintaining Hyster lift trucks in a safe, useful condition. See the list below for information on ordering specific publications for this model lift truck.

| PUBLICATION | HYSTER PART NUMBER |
|--------------------------------|---------------------------|
| Operating Manual..... | 1534729 |
| Service Manual (Complete)..... | 1552144 |
| Parts Manual..... | 1552143 |

1

FRAME

SECTION 1
FRAME

| DESCRIPTION | PAGE |
|-------------------------------|-------------|
| COUNTERWEIGHT | 1-6 |
| COVERS | 1-10 |
| FORKS | 1-18 |
| FRAME | 1-2 |
| FULL SUSPENSION SEAT | |
| SHEET 1 OF 2 | 1-26 |
| SHEET 2 OF 2 | 1-30 |
| HOOD | 1-12 |
| LABELS | 1-20 |
| LOAD BACKREST EXTENSION | 1-16 |
| NON-SUSPENSION SEAT | 1-22 |
| OVERHEAD GUARD | 1-8 |
| SUSPENSION SEAT | 1-24 |